

The T-Box™ 2 utilises its powerful processor to provide a seamless and complete torque data collection package. This is capable of tool calibrations, data logging, simultaneous transducer connections and archiving to your PC.



Features a 10.1" multi-touch screen display with on-screen graphic icons for simple and easy tool navigation and selection

User configurable to allow a selection of torque, torque and angle, rate targets and the ability to set thresholds

Two task windows allows simultaneous working! Measure against a target while graphing the cycle, take readings from two transducers simultaneously, capture two different graphs at the same time or manage and review readings as they are captured

Features Gorilla® Glass with native damage resistance helping to prevent deep chips and scratches appearing on the screens surface

Ability to network via USB Adapter

2 USB Ports

Analogue Board Module (AnB) - 43543

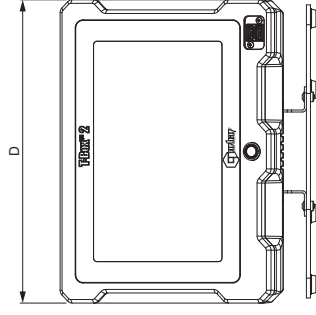
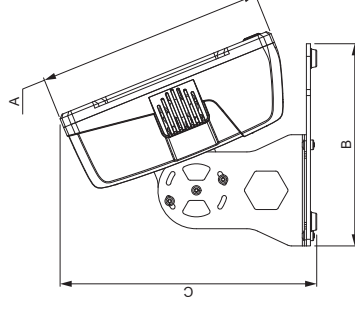
The Analogue Board Module offers the convenience to plug in more than 2 transducers into the T-Box™ 2. Also offers the advantage of being able to place your transducer at a distance to your T-Box™ 2 with no detrimental effects on the measurement signal.



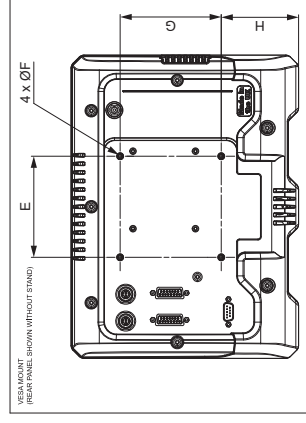
KEY FEATURES

- Accuracy of ±0.05% of reading (±0.1% when below 5% of transducer capacity)
- Includes 6 modes for torque tool measurement: Track, Click, Dial & Electronic, Stall, Screwdriver and Hydraulic
- Can export readings and graphs to CSV and JSON format allowing for 3rd party software integration
- File browser/manager for internal storage and USB management giving the user greater ease and flexibility in managing multiple files and folders
- 2 transducer ports gives you the ability to perform 2 tasks simultaneously e.g. graphing & measuring
- Fast CPU frequency up to 2.3GHz
- Large capacity memory of 12.0GB SSD storage
- The T-Box™ 2 can capture graphs up to 32.5 Hz, offering the ability to analyse fast moving transients
- 4GB RAM allows for smooth and seamless operation
- Ability to predefine multiple targets

MODEL	T-Box 2	
Part Number	43542	
Tool Weight (kg)	5.2	
Dimensions (mm)	A	225
	B	200
	C	254
	D	300
	E	100
	ØF	M4
	G	100
	H	76



Rear panel features 100 mm x 100 mm VESA mounting holes, allowing for easy wall mounting or the use of third party stands / arms



2 Transducer Ports

2 independently configurable ancillary ports

1 RS-232 Serial Port

Continuous output of up to 100 readings per second per port via RS-232 or USB virtual serial device

Bench stand supplied as standard with an adjustable viewing angle

