

EMAX

EMAX HYDRAULIC PUMPS



torque

APPLIED TORQUE
.co.uk

STRENGTH UNDER PRESSURE

EMAX

ELECTRIC HYDRAULIC TORQUE WRENCH PUMP



THREE-STAGE PERFORMANCE

GET MAXIMUM PERFORMANCE FROM A MINIMUM WEIGHT HYDRAULIC TORQUE WRENCH PUMP. SET THE PRESSURE AND ACHIEVE THE TORQUE EVERY CYCLE.

TECHNICAL DATA

EMAX-115V / EMAX-230V

Reservoir Capacity (gal/litre)	2.2 / 8.4
Valve Style	Auto Retract
Motor Specification	2.2 hp / 1.6 kW
Weight (lbs/kg)	62 / 28

MAX OIL FLOW

EMAX-115V / EMAX-230V

Stage 1 (1000psi / 70bar)	610 cu.in/min	10.0 l/min
Stage 2 (3900psi / 270bar)	145 cu.in/min	2.4 l/min
Stage 3 (10,000psi / 700bar)	65 cu.in/min	1.1 l/min



DIMENSIONS

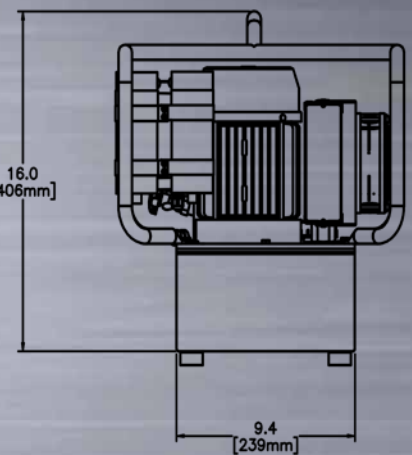
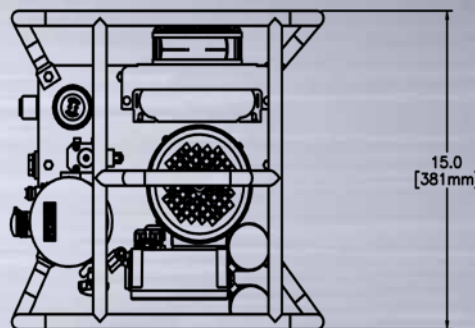
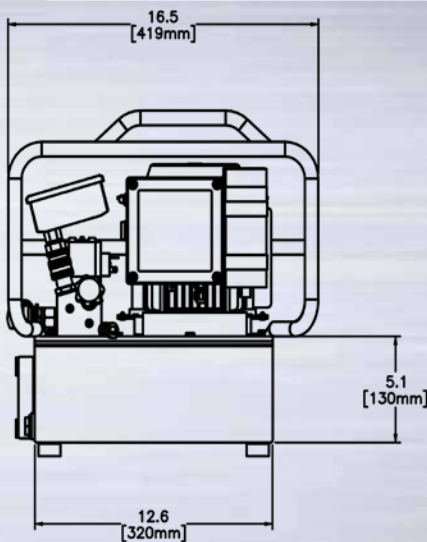
EMAX-115V / EMAX-230V

Length (in/mm)	16.5 / 419
Width (in/mm)	15.0 / 381
Height (in/mm)	16.0 / 406

RESERVOIR DIMENSIONS

EMAX-115V / EMAX-230V

Length (in/mm)	12.6 / 320
Width (in/mm)	9.4 / 239
Height (in/mm)	5.1 / 130



*All EMAX pumps fitted with an oil cooler & 15' pendant



TWIN LINE
HYDRAULIC HOSE

MULTI- PORT
MANIFOLD



* HYDRAULIC HOSE AND MULTI- PORT MANIFOLD SOLD SEPARATELY

For Further information please contact sales@appliedtorque.co.uk