



Nova
Electric Hydraulic Pump



High Speed 24/7

Applications

Electric driven hydraulic pump, usable worldwide 100-253 V / 45-66 Hz, up to 700 bar / 10,000 psi for hydraulic wrenches with single or double-acting cylinders

- Duo- or Quattro version (for 2 or 4 wrenches etc.) optional
- Robust compact design for the roughest use on construction sites

Advantages

- **Huge oil flow** due to intelligent electronic controlling and powerful motor
- Easiest automatic operation for **all cylinder sizes** without any manual presetting
- Ergonomic remote control for manual or automatic operation

alkitronic® specials

- **No magnetic valve control**
Powerful but gentle changeover from power stroke to idle stroke due to direction switch of the drive motor which guarantees high durability of the equipment.
- **Capable of continuous operation – minimal heat generation**
No overheating of oil by the innovative motor drive concept in combination with the automatic mode. The automatic operation only provides the flow supply with the working pressure necessary for efficient bolting.
- **Low running costs**
Brush-free synchronized motor, maintenance-free and low in wear. Usable on all international mains supply without any change.

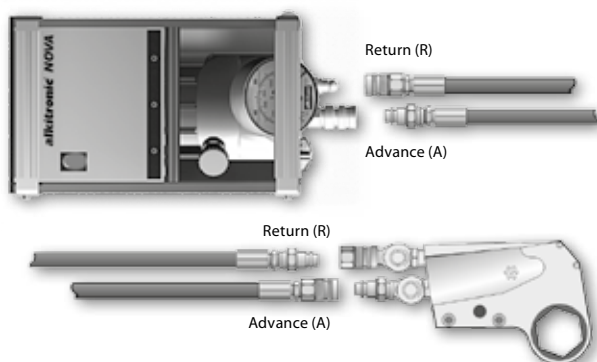


Technical Data

alkitronic® NOVA with infinitely adjustable pressure setting up to 700 bar / 10,000 psi (700 bar / 10,000 psi max. pressure).

Designation	alkitronic® NOVA
Drive electrical	100-253 V / 45-66 Hz
Nominal capacity	3500 W max.
Oil flow:	
low pressure	15 l/min up to 70 bar
medium pressure	10 l/min up to 180 bar
high pressure	1.5 l/min up to 700 bar
Weight including oil	28,5 kg
Dimensions L x W x H (mm)	350 x 220 x 300
Surrounding temperature	-20 °C up to +50 °C

Connection scheme hydraulic hoses



Delivery range: High pressure hoses (DN 8), Length 5m



alkitronic® NOVA multibox



Robust design with load hooks and handles, certified for crane transportation.

**Applied Torque
provides
all drive
technologies.**

Extract from our
product range;

Electric



Pneumatic



We have always prided ourselves on the service we provide to our customers, whether it is a 1/4" socket or complex DC Multi-Spindle unit. Combining a range of the highest quality products with the support of our skilled, highly trained staff. Our motto is "if we cant support it, we wont sell it".

Applied Torque offer the full package providing Sales-Hire- On-Site Calibration-In House Calibration-Service-Repair-Design & Manufacture.

To know more of what we do, visit us at;
Applied Torque Systems Ltd
Unit S, Trecenydd Industrial Estate, Caerphilly, CF83 2RZ

Call us on:
02920 888883

Email us:
sales@appliedtorque.co.uk

Or visit our website:
www.appliedtorque.co.uk

Hydraulic



Manual

