

**alkitronic**<sup>®</sup>

HOME OF TORQUE POWER



**R/SG**

for Plate Heat Exchanger



## Applications

- These tools are ideally specialized for bolting connections on plate heat exchangers, e.g. in the food and beverage sector, the paper industry, and the chemical industry. They save much time when tightening and loosening plate packs where **perfect retention and absolute tightness are essential**.
- Reliable, low-wear operation due to **continuous rotation** when bolting with spindles or long threaded bolts.
- Depending on the application, electrical or pneumatic driven torque multipliers: torque up to 4,800 Nm.

## Advantages

- **Load-free operation, with short assembly time.**
- **Fast simultaneous tightening of large plate packs** when using two or more torque multipliers diagonally.
- **alkitronic® RCL, CL2-SG** and battery driven torque multiplier **EA with fast gear for turning in and simple, quick switching to power gear.**

## alkitronic® specials

- **Targeted types for convenient working in every tightening situation:** among other options between radial gearing (R) with high-performance worm drive; tangential gearing (SG) with highly efficient spur gear.
- **Long lifetime** due to extremely robust motor housing made of cast aluminum or break-proof polymer.

### Specifications

#### Pneumatic driven models:

Prerequisites for best work with the indicated torques are an operating pressure of 2-7 bar at a volume flow of approx. 10-15 l/s. The torque accuracy depends on the stability of the supply system.

#### Electric driven models:

Universal AC input 100 V – 253 V, frequency 45 Hz – 66 Hz, power max. 2000 W, protection category I, EFCip with protection class IP 54 (EF optional). EA models with two lithium-ion battery packs 18 V, 5.2 Ah, and battery charger.

### Product information Remote Control

#### alkitronic® CLV-R or CLV-SG

Model range with convenient remote control and individual pneumatic drive. When using several torque multipliers with radial (R) or tangential (SG) gearing, large packs can be tightened fast, simultaneously, and evenly.

- **Operation** of up to four torque multipliers **simultaneously**.
- Especially effective for multiple bolting connections and serial assemblies in **semi-automatic operations**.
- **Low-level sound emission** due to integrated sound reduction.

For highly efficient bolting connections with one or up to four **alkitronic®CLV** torque multipliers, preconfigured **alkitronic® Remote Systems** are already available.

**FBL DUO** for two **CLV** torque multiplier, **FBL QUATTRO** available on request.

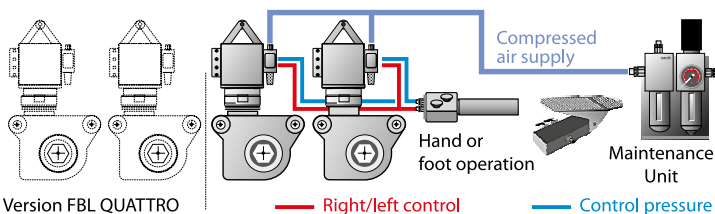


Image above:  
**alkitronic® RCL** pneumatic torque multiplier in operation on a plate heat exchanger.  
Image below: **alkitronic® CLV-R**

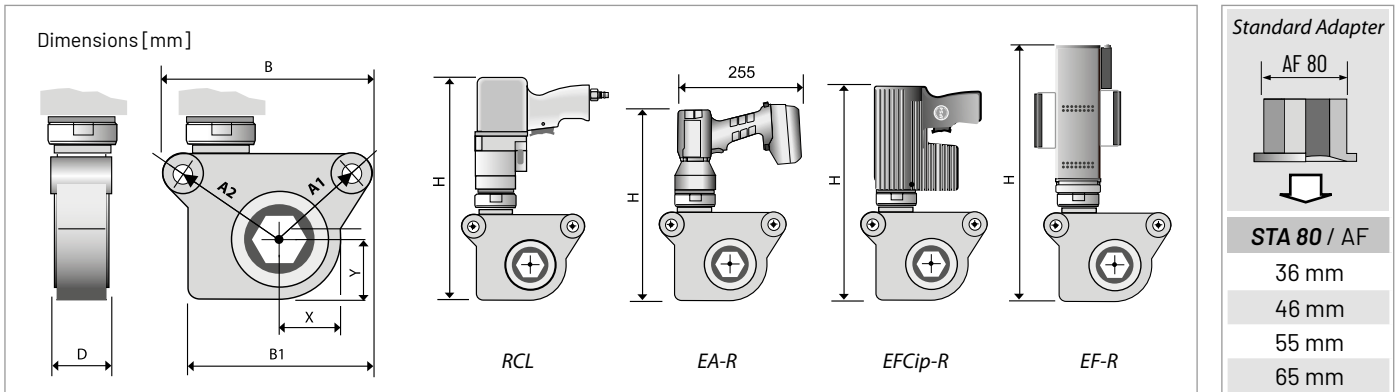
Image above:  
**alkitronic® EFCip-SG** in operation on a plate heat exchanger.  
Image below:  
PHE of Alfa Laval





## Technical Data

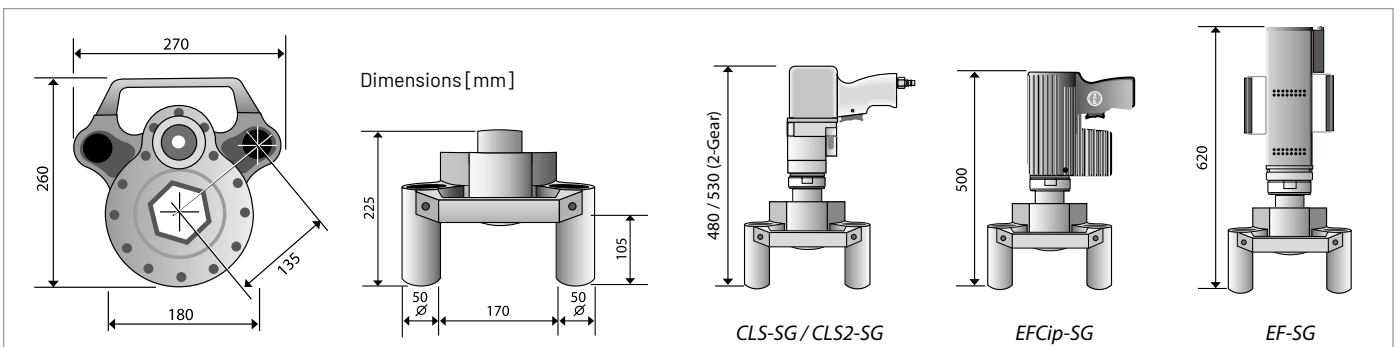
### alkitronic® Radial Gearing (R)



Radial Gearing Models	Pneumatic drive			Electric drive							
	RCL (2-Gear)			EA-R (2-Gear)		EFCip-R			EF-R		
Type	RCL 36	RCL 46	RCL 80	EA-R 36	EA-R 46	EFCip-R 36	EFCip-R 46	EFCip-R 80	EF-R 80		
Torque range 2nd gear (approx.)	Nm	160-470	250-780	670-1975	150-450	250-730	-	-	-	-	
Torque range 1st gear (approx.)	Nm	500-1500	800-2500	1645-4840	500-1500	750-2500	150-1590	250-2530	480-3840	560-3780	
Width across flat (AF)	mm	36	46	80	36	46	36	46	80	80	
Height (approx.)	H	mm	400	435	450	400	450	385	425	475	600
Width (approx.)	B/B1	mm	230/190	252/215	325/240	230/190	252/215	230/190	252/215	325/240	325/240
Bolt distance (approx.)	A1/A2	mm	100/128	112/145	156/194	100/128	112/145	100/128	112/145	156/194	156/194
Dimensions (approx.)	X/Y	mm	56/56	75/75	98/98	56/56	75/75	56/56	75/75	98/98	98/98
Dimension (approx.)	D	mm	90	94	94	90	94	90	94	94	94
Weight (approx.)	kg		11	13.5	21	11	13.5	12	14.5	21	24.5
Idle speed 1st gear (approx.)	rpm		5	4.5	4	3	3	8	7	7	9
Idle speed 2nd gear (approx.)	rpm		15	14	12	10	10	-	-	-	-

When loosening a bolted connection, up to 20% higher torque may be required (loosening torque). We will gladly advise you in detail.

### alkitronic® Tangential Gearing (SG)



Tangential Gearing Models	Pneumatic drive		Electric drive		
	CLS-SG	CLS2-SG (2-Gear)	EFCip-SG	EF-SG	
Type	CLS-SG 80	CLS2-SG 80	EFCip-SG 80	EF-SG 80	
Torque range 2nd gear (approx.)	Nm	-	440-1330	-	
Torque range 1st gear (approx.)	Nm	1330-3780	1400-3780	560-3780	
Width across flat (AF)	mm	80	80	80	
Weight (approx.)	kg	17	17	19	22
Idle speed 1st gear (approx.)	rpm	3,5	3,5	6	10
Idle speed 2nd gear (approx.)	rpm	-	10	-	-



## YOUR PLUS FOR MORE PERFORMANCE

### Increased quality

Premium production  
Highest quality materials  
Long product life cycles  
Since 1984 experience in bolting technology  
Made in Germany – international patents

### Increased precision

Precise, customer-specific torques  
High repeatability  
Reliability in permanent operation  
Dokumentation of tightening results  
Automatic shut-off

### Increased productivity

Quicker tightening without reworking  
No environmentally caused failures (IP54, ATEX)  
High work safety  
Easy to use: clear, simple instructions  
Low maintenance and cost efficient

### Better service

Technical advice on site  
Training offers  
Manufacturer's calibration and certification  
Lifecycle support  
Spare part and repair service

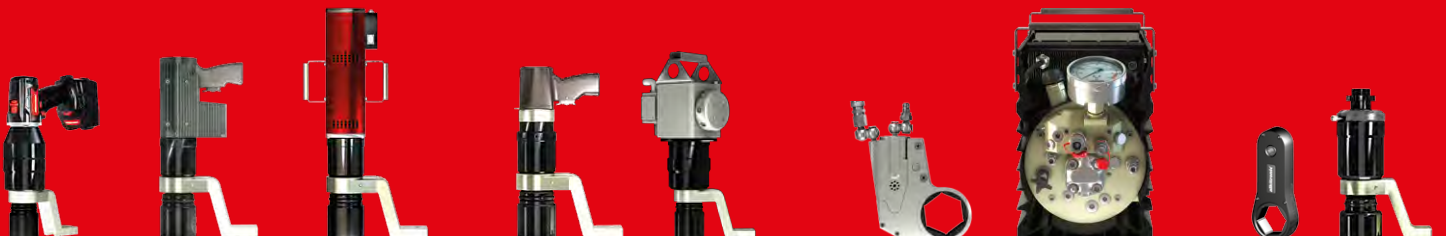
To know more of what we do, visit us at:  
Applied Torque Systems Ltd  
Unit S, Trecenydd Industrial Estate, Caerphilly, CF83 2RZ

Call us on:  
02920 888883

Email us:  
[sales@appliedtorque.co.uk](mailto:sales@appliedtorque.co.uk)

Or visit our website:  
[www.appliedtorque.co.uk](http://www.appliedtorque.co.uk)

### EXTRACT FROM OUR PRODUCT RANGE



Electric Torque Multiplier

Pneumatic Torque Multiplier

Hydraulic Wrenches and Pumps

Manual Torque Multiplier