



**GEARING UP FOR
THE REVOLUTION**

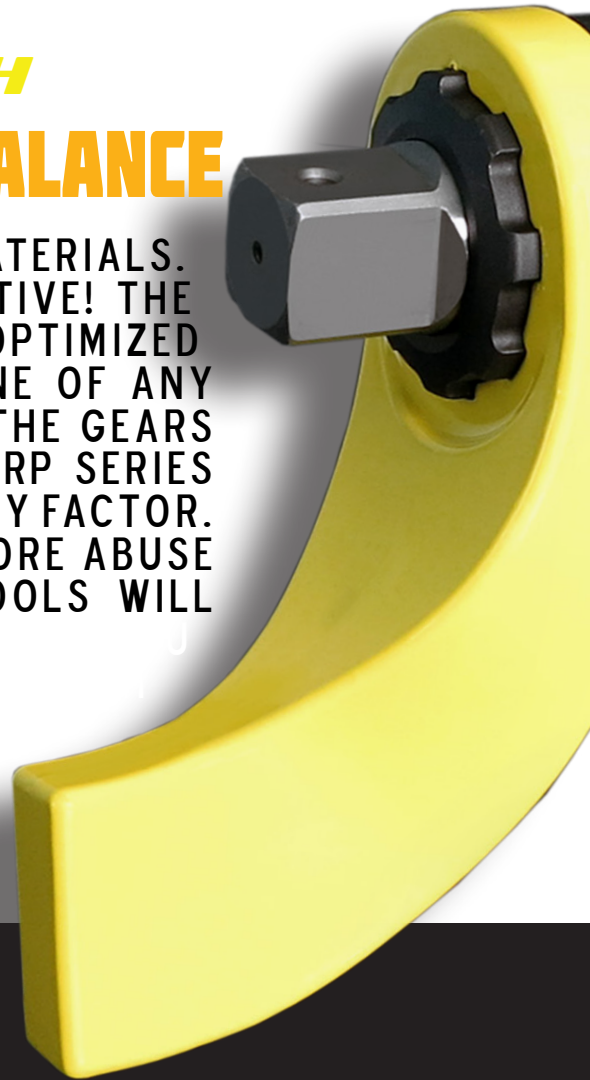


RP

PNEUMATIC TORQUE WRENCH

THE WRENCH WITH BALANCE

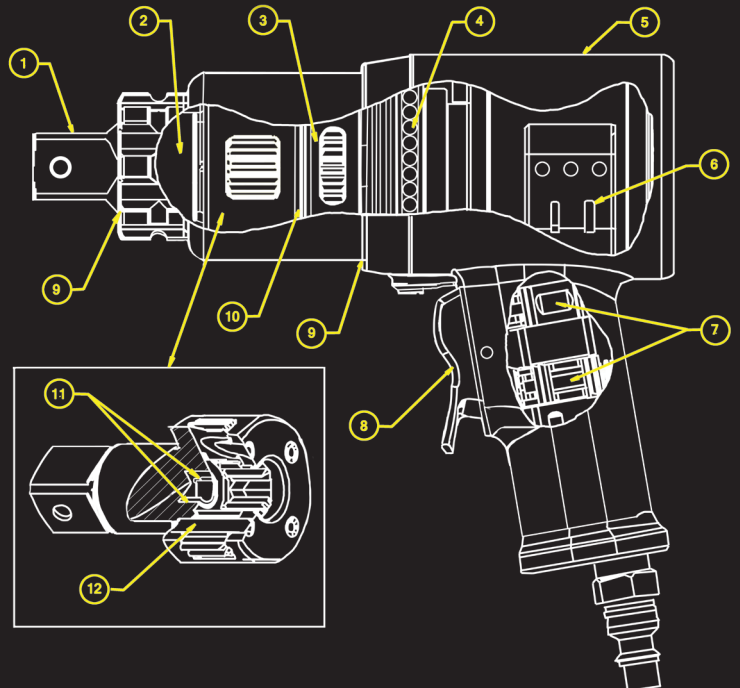
REDESIGNING THE GEAR. OPTIMIZING THE MATERIALS. PERFECTING THE FIT. THAT WAS OUR OBJECTIVE! THE RESULT IS A PNEUMATIC WRENCH THAT IS OPTIMIZED DOWN TO THE FINEST DETAIL. THE BACKBONE OF ANY PNEUMATIC TORQUE WRENCH IS ITS GEARS. THE GEARS THAT ARE THE DRIVING FORCE BEHIND THE RP SERIES ARE DESIGNED WITH AN INCREASED DURABILITY FACTOR. THE FULL LINE OF RAPTORS HAVE ENDURED MORE ABUSE FROM LONG TERM TESTING THAN THESE TOOLS WILL

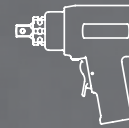


THE
OR!

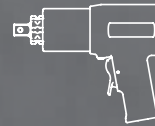
THE POWER INSIDE

1. HARDENED ALLOY STEEL FOR DURABILITY AND LONG CYCLE LIFE
2. BEARINGS SUPPORT THE LOADS EXPERIENCED AT THE SQUARE DRIVE
3. MULTI-STAGE PLANETARY GEAR SYSTEMS WITH OPTIMIZED TOOTH DESIGN
4. SMOOTH BALL BEARING ROTATION OF THE GEARBOX HOUSING INDEPENDENT FROM THE MOTOR HANDLE
5. LIGHTWEIGHT ALUMINUM HANDLE WITH DURABLE, SLIP-RESISTANT TEXTURED COATING
6. ULTRA-EFFICIENT AIR MOTOR DESIGNED FOR EASY MAINTENANCE
7. CARTRIDGE-STYLE VALVES PROVIDE EASY REPLACEMENT
8. ONE FINGER TRIGGER CONTROL FOR FORWARD AND REVERSE
9. O-RINGS SEAL GREASE IN WHILE KEEPING WATER AND DIRT OUT
10. THRUST BEARING BETWEEN STAGES ISOLATE THE MOTOR WHEN USED IN ALL ORIENTATIONS
11. GEARS RUN ON LOW FRICTION, HIGH STRENGTH BEARING SLEEVES
12. TOOL STEEL PINS IN EACH STAGE CARRIER





RP-500 **SINGLE SPEED**
 TORQUE RANGE 78-530 FT/LBS
 FREE SPEED 16.5-44 RPM



RP-1000 **SINGLE SPEED**
 TORQUE RANGE 148-1030 FT/LBS
 FREE SPEED 7-15 RPM



RP-2000 **SINGLE SPEED**
 TORQUE RANGE 231-2015 FT/LBS
 FREE SPEED 3.5-9 RPM



RP-3000 **SINGLE SPEED**
 TORQUE RANGE 484-3070 FT/LBS
 FREE SPEED 1.75-4 RPM

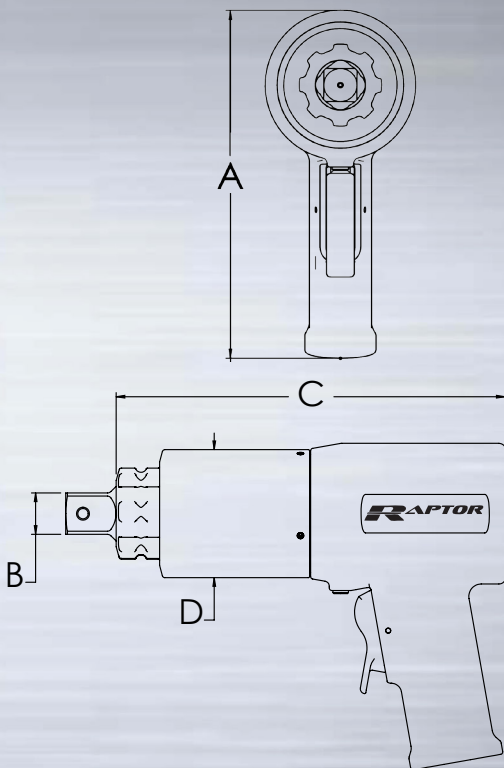


RP-6000 **SINGLE SPEED**
 TORQUE RANGE 714-5990 FT/LBS
 FREE SPEED 1.25-3 RPM

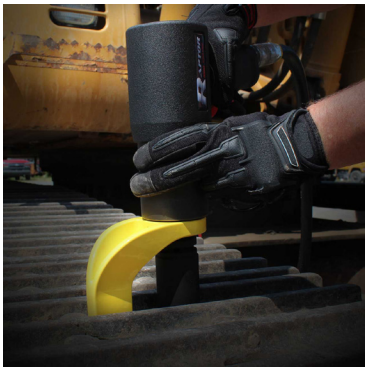
Requirements: Air Pressure 10-90 psi - Flow 45-55 CFM

www.appliedtorque.co.uk

POWER ENGINEERED



MODEL NUMBER	RP-500	RP-1000	RP-2000	RP-3000	RP-6000
SQUARE DRIVE	3/4"	1"	1"	1"	1 1/2"
MIN. TORQUE (ft/lbs)	78	148	231	484	714
MAX. TORQUE (ft/lbs)	530	1030	2015	3070	5990
MIN. TORQUE (nm)	106	201	313	656	968
MAX. TORQUE (nm)	719	1396	2732	4162	8121
HEIGHT A (in)	7.89"	7.89"	7.89"	8.06"	8.69"
HEIGHT A (mm)	200.4	200.4	200.4	204.7	220.7
SQUARE DRIVE B (in)	0.75"	1"	1"	1"	1.5"
SQUARE DRIVE B (mm)	19.05	25.4	25.4	25.4	38.1
LENGTH C (in)	6.80"	8.87"	9.40"	10.62"	12.32"
LENGTH C (mm)	172.7	225.3	238.8	269.7	312.9
DIAMETER D (in)	2.56"	2.85"	3.09"	3.75"	5.00"
DIAMETER D (mm)	65.0	72.4	78.5	95.3	127.0
WEIGHT (lbs) w/o arm	9	12	16	20	36
WEIGHT (kg) w/o arm	4.1	5.4	7.3	9.1	16.3
PERFORMANCE DATA					
RPM @ 10 psi	16.5	7	3.5	1.75	1.25
RPM @ MAX psi	44	15	9	4	3
TOOL MAX psi	80	70	90	65	90



RP SERIES PNEUMATIC TORQUE WRENCH

SPEED - WE REVOLUTIONIZE THROUGH EFFICIENCY!
WEIGHT - WE CUT WEIGHT WITHOUT SACRIFICING DURABILITY!
STRENGTH - WE KNOW HOW TO MAKE ALLOYS PERFORM!

SLIDING STRAIGHT REACTION ARM



STRAIGHT REACTION ARM



LONG EXTENDED REACTION ARM



F/R/L UNIT



NOSE EXTENSION



MULTI POSITION HANDLE



RP-F/R/L

Control torque output

Air pressure measured with PSI/ BAR liquid filled gauge

Adjustable lubricator for proper "Air Tool Oil" drip.

Ergonomic F/R/L frame in safety yellow with hose storage.

Dimensions:

Width 9" Height 12" Length 12"

Weight 12.0 lbs / 5.4 kg



CARRYING CASE





We have always prided ourselves on the service we provide to our customers, whether it is a 1/4" socket or complex DC Multi-Spindle unit. Combining a range of the highest quality products with the support of our skilled, highly trained staff. Our motto is "if we cant support it, we wont sell it".

Applied Torque offer the full package providing Sales-Hire- On-Site Calibration-In House Calibration-Service-Repair-Design & Manufacture.

To know more of what we do, visit us at;
Applied Torque Systems Ltd
Unit S, Trecenydd Industrial Estate, Caerphilly, CF83 2RZ

Call us on:
02920 888883

Email us:
sales@appliedtorque.co.uk

Or visit our website:
www.appliedtorque.co.uk