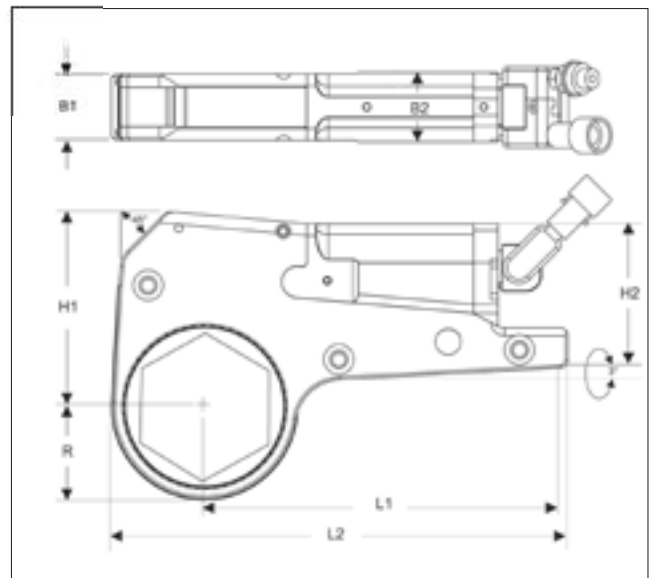


Technical Data

alkitorc® - ATZ

1 / 2



Type / Ref-No.		ATZ 2	ATZ 4	ATZ 8	ATZ 16	ATZ 32
Hexagon Link SW (mm) from - to		27 - 46	36 - 70	55 - 90	80 - 115	80 - 145
Torque from - to	Nm	270 - 2500	560 - 5200	1120 - 11200	2240 - 21700	4900 - 47500
	ft.lb	200 - 1900	400 - 3800	800 - 8000	1600 - 16000	3500 - 35000
Drive Element Weight *	kg	1.6	2.6	4.6	7	11
Width (mm)	B2	32	45	56	70	89

* Without support and square drive
Accuracy of ±3% at max. pressure of 700 bar - Bolt ranges are just standard values.

Subject to change without prior notice /
E & OE / Figures can differ depending on type.



A2 Trecenydd Industrial Estate, Caerphilly. Mid-Glam.UK
Tel: 0044 (0)2920 888883 Fax: 0044 (0)2920 860004

8, Boswell Square, Hillington Industrial Estate, Glasgow.UK
Tel: 0044 (0)141 810 1440 Fax: 0044 (0)141 810 1112



Technical Data

alkitorc® - ATZ

2 / 2

compatible with ATZ drive element

Order example: ATK 2 - SW30

all dimensions in mm

ATZ 2

ATK 2	SW 27	SW 30	SW 32	SW 36	SW 41	SW 46								
Weight	kg	1.1	1.2	1.3	1.4	1.5	1.6							
B1	mm	32	32	32	32	32	32							
H1	mm	98	98	98	98	98	98							
H2	mm	88	88	88	88	88	88							
R	mm	26	28	28	31	33	36							
L1	mm	178	178	178	178	178	178							
L2	mm	226	226	226	226	226	226							

ATZ 4

ATK 4	SW 36	SW 41	SW 46	SW 50	SW 55	SW 60	SW 65	SW 70						
Weight	kg	2.4	2.6	2.8	3	3.2	3.4	3.5	3.6					
B1	mm	41	41	41	41	41	41	41	41					
H1	mm	121	121	121	121	121	121	121	121					
H2	mm	96	96	96	96	96	96	96	96					
R	mm	33	36	39	42	44	47	50	53					
L1	mm	214	214	214	214	214	214	214	214					
L2	mm	272	272	272	272	272	272	272	272					

ATZ 8

ATK 8	SW 55	SW 60	SW 65	SW 70	SW 75	SW 80	SW 85	SW 90						
Weight	kg	8	8.2	8.4	8.6	8.8	9	9.2	9.4					
B1	mm	53	53	53	53	53	53	53	53					
H1	mm	157	157	157	157	157	157	157	157					
H2	mm	154	154	154	154	154	154	154	154					
R	mm	47	49	52	55	58	64	68	70					
L1	mm	287	287	287	287	287	287	287	287					
L2	mm	363	363	363	363	363	363	363	363					

ATZ 16

ATK 16	SW 80	SW 85	SW 90	SW 95	SW 100	SW 105	SW 110	SW 115						
Weight	kg	11	11.3	11.8	11.8	12.5	12.5	13	13					
B1	mm	62	62	62	62	62	62	62	62					
H1	mm	184	184	184	184	184	184	184	184					
H2	mm	216	216	216	216	216	216	216	216					
R	mm	70	73	76	76	83	83	89	89					
L1	mm	356	356	356	356	356	356	356	356					
L2	mm	456	456	456	456	456	456	456	456					

ATZ 32

ATK 32	SW 80	SW 85	SW 90	SW 95	SW 100	SW 105	SW 110	SW 115	SW 120	SW 125	SW 130	SW135	SW140	SW 145
Weight	kg	21	22	24	24	26	26	28	28	29	31	33	35	37
B1	mm	82	82	82	82	82	82	82	82	82	82	82	82	82
H1	mm	267	267	267	267	267	267	267	267	267	267	267	267	267
H2	mm	277	277	277	277	277	277	277	277	277	277	277	277	277
R	mm	94	94	94	94	94	94	94	102	102	102	102	116	116
L1	mm	407	407	407	407	407	407	407	407	407	407	407	407	407
L2	mm	489	489	489	489	489	489	489	489	489	489	489	489	489

Further sizes - upon request

Subject to change without prior notice / E & OE / Figures can differ depending on type.



A2 Trecenydd Industrial Estate, Caerphilly. Mid-Glam.UK
Tel: 0044 (0)2920 888883 Fax: 0044 (0)2920 860004

8, Boswell Square, Hillington Industrial Estate, Glasgow.UK
Tel: 0044 (0)141 810 1440 Fax: 0044 (0)141 810 1112