

# W-Series, Low Profile Hexagon Torque Wrenches



▼ Shown: W4206X hexagon cassette with W4000PX drive unit



## Safety and Performance

- Superior strength to size ratio provides easy access to difficult to reach applications without sacrificing endurance
- 30° rotation angle and rapid return stroke provide fast operation
- Tough manifold design with added safety feature for enhanced operator safety

## Simplicity

- Fast release drive unit enables rapid exchange of cassettes, no tools required
- Quick and easy disassembly for maintenance without special tools
- Include robust handle which mounts on both sides and the tops of cassettes to allow for extra maneuverability

## Versatility

- Available with optional enhanced tilt and swivel TSP300 manifold for horizontal and vertical maneuverability, with greater durability <sup>1)</sup>
- X-Edition drive units, cassettes and most accessories are compatible with standard edition tools <sup>1)</sup>
- Drive unit compatible with UltraSlim and WCR-Series cassettes

## Accuracy

- Constant torque output provides accuracy of  $\pm 3\%$  across full stroke.

## Setting New Standards in Safety, Simplicity and Performance



### Two Handle Styles

Robust angled positioning handle comes standard with every W-Series (X-Edition) cassette.

Straight positioning handles designed for extreme limited access applications are available as accessories.

| Compatible with W-Series (X-Edition) Cassettes | Model Nr. Angled positioning handles (standard) | Model Nr. Straight positioning handles (optional) |
|--|---|---|
| W2000X, W4000X                                 | <b>SWH6A</b>                                    | <b>SWH6S</b>                                      |
| W8000X, W15000X                                | <b>SWH10A</b>                                   | <b>SWH10S</b>                                     |
| W22000X, W35000X                               | <b>SWH10EA</b> <sup>2)</sup>                    |   |

<sup>2)</sup> SWH10EA is an eyebolt handle.



### TSP - Pro Series Swivel

The optional TSP300 tilt and swivel manifold with robust interlocking design provides 360° X-axis rotation and 160° Y-axis rotation.

### How to Order <sup>1)</sup>

Factory fitted to W-Series (X-Edition) drive units: Insert a "P" prior to the "X" in the tool model number, example: **W2000PX**.

Order as an accessory using the model number: **TSP300**, which can be fitted to existing W-Series (X-Edition) drive units. Includes male and female couplers.

Page: 199



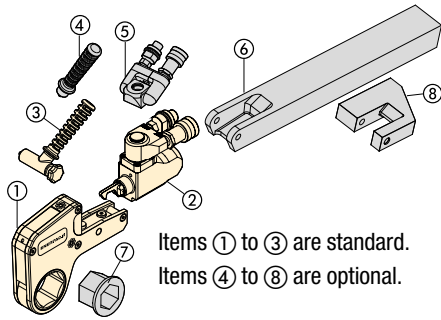
### ATEX declared. Calibration certificate included.

All X-edition tools are CE - ATEX declared and are shipped complete with a calibration certificate.



<sup>1)</sup> TSP300 is designed for X-Edition tools only, and is not compatible with previous edition tools. For replacement components for existing tools, refer to repair sheet on [www.enerpac.com](http://www.enerpac.com)

# Double-Acting Hydraulic Hexagon Torque Wrenches, X-Edition



- ① Hexagon Cassette (pages 188-195)
- ② Drive Unit
- ③ Angled Positioning Handle (page 186)
- ④ Straight Positioning Handle
- ⑤ Pro Series Swivel (page 199)
- ⑥ Extended Reaction Arm (page 199)
- ⑦ Reducer Insert (pages 188-195)
- ⑧ Reaction Paddle (page 199)

Items ① to ③ are standard.  
Items ④ to ⑧ are optional.

## W Series X-Edition



Nominal Torque at 690 bar:

**47.454 Nm**

Hexagon Range:

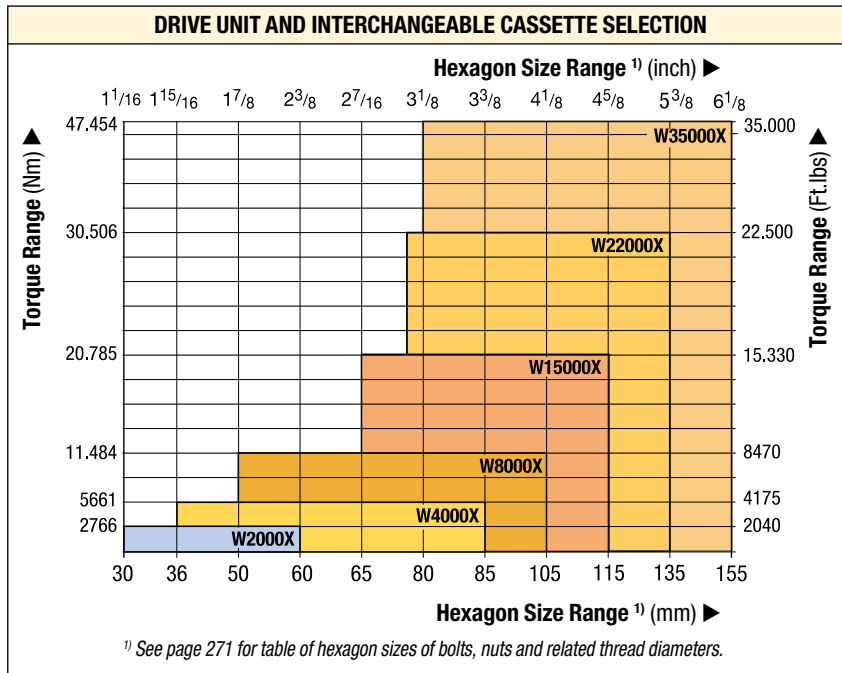
**30 - 155 mm / 1 1/16 - 6 1/8"**

Nose Radius:

**31 - 115 mm**

Maximum Operating Pressure:

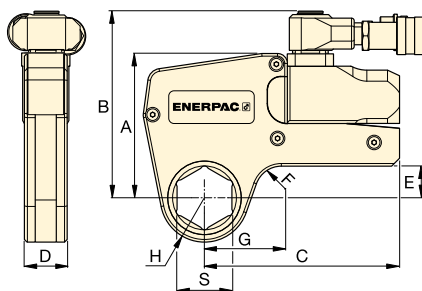
**690 bar**



### Torque Wrench Pump Selection Matrix

For optimum speed and performance see the torque wrench and pump matrix.

Page: 206



These rigid steel wrenches with low profile interchangeable hexagon cassettes guarantee durability and maximum versatility in bolting applications. ▶



### SELECTION CHART

| Hexagon Range * |                 | Nominal Torque at 690 bar |          | Drive Unit Model Number ** | Minimum Torque |          | Dimensions (mm) (see pages 188-195 for dimensions G, H and S) |     |     |    |       |    | Weight (drive unit without hexagon cassette) (kg) |
|-----------------|-----------------|---------------------------|----------|----------------------------|----------------|----------|---|-----|-----|----|-------|----|---|
| (mm)            | (inch)          | (Nm)                      | (Ft.lbs) |                            | (Nm)           | (Ft.lbs) | A   | B   | C   | D  | E     | F  |   |
| 30 - 60         | 1 1/16 - 2 3/8  | 2766                      | 2040     | <b>W2000X</b>              | 276            | 204      | 109   | 141 | 148 | 32 | 24    | 20 | 1,4   |
| 36 - 85         | 1 5/16 - 3 3/8  | 5661                      | 4175     | <b>W4000X</b>              | 566            | 417      | 136   | 167 | 178 | 41 | 33    | 20 | 2,0   |
| 50 - 105        | 1 7/8 - 4 1/8   | 11.484                    | 8470     | <b>W8000X</b>              | 1148           | 847      | 172   | 205 | 208 | 53 | 42    | 25 | 3,0   |
| 65 - 115        | 2 7/16 - 4 5/8  | 20.785                    | 15.330   | <b>W15000X</b>             | 2078           | 1533     | 207   | 240 | 253 | 63 | 50    | 20 | 5,0   |
| 75 - 135        | 2 15/16 - 5 3/8 | 30.506                    | 22.500   | <b>W22000X</b>             | 3050           | 2250     | 227   | 266 | 297 | 77 | 48    | 35 | 7,7   |
| 80 - 155        | 3 1/8 - 6 1/8   | 47.454                    | 35.000   | <b>W35000X</b>             | 4745           | 3500     | 268   | 301 | 345 | 91 | 69-73 | 50 | 11,4  |

\* With in-line reaction foot.

\*\* To order a W-series wrench fitted with the TSP swivel, suffix the model number with "-P". Example: **W2000PX**.