



NORBAR HAVE COMBINED A NEW AIR MOTOR, THE RESULT OF AN EXTENSIVE DESIGN PROJECT, WITH THEIR RESPECTED GEARBOXES TO DELIVER THE PTS™ RANGE OF ACCURATE, EFFICIENT, QUIET PNEUMATIC MULTIPLIERS



The square drive is quickly and easily replaceable

A single efficient bi-directional air motor

Robust steel reaction supplied as standard

Bespoke reactions available on request

Tried and tested gearbox, reliable and proven over more than a decade

Accuracy is better than $\pm 3\%$

Easily accessible switch for forward and reverse operation

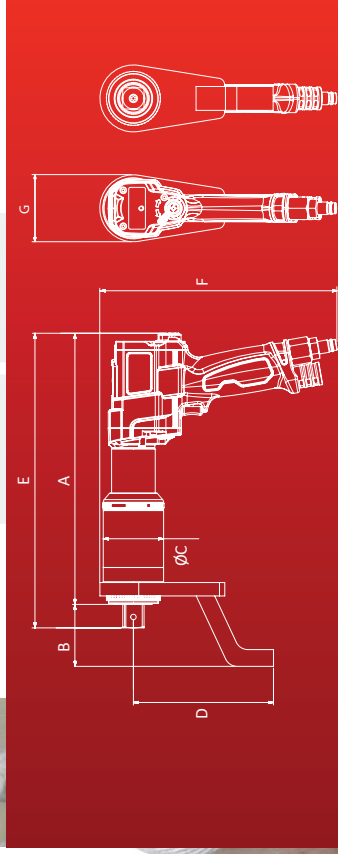
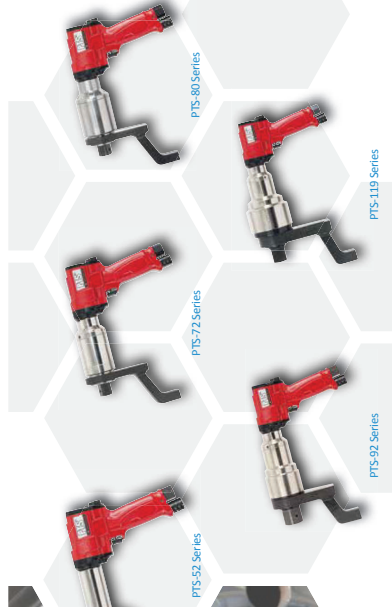
Handle and trigger designed for optimum comfort

Non-impacting - exceptionally low vibration levels, (0.343 m/s²) make these tools comfortable and safe for operator use

Very quiet operation - reducing the need for protection with sound pressure levels from 77 dB(A) to 79 dB(A)

Directional exhaust barrel directs exhaust away from operator

Please contact sales@appliedtorque.co.uk for further information



TECHNICAL SPECIFICATION

PART NUMBER	MODEL	SQUARE DRIVE	RANGE		DIMENSIONS (mm)							TOOL WEIGHT (kg)	REACTION WEIGHT (kg)	OUTPUT SPEED (rpm)
			N.m	lb/ft	A	B	ØC	D	E	F	G			
180241 B06	PTS-52-500	3/4"	100 - 500	74 - 370	263	59	52	131	287	256	69	4.2	0.85	35.5
180242 B06	PTS-52-800	1"	160 - 800	118 - 590	263	59	52	131	287	256	69	4.2	0.85	25.7
180243 B06	PTS-72-1000	1 1/4"	200 - 1000	147 - 738	290	76	72	167	318	266	80	6.34	1.4	20.4
180244 B08	PTS-72-1350	1 1/2"	270 - 1350	200 - 1000	290	76	72	167	318	266	80	6.34	1.4	14.7
180245 B08	PTS-72-2000	1 3/4"	400 - 2000	295 - 1475	323	76	72	167	352	266	80	6.6	1.4	9.2
180246 B08	PTS-80-2700	1 3/4"	540 - 2700	400 - 2000	295	76	80	167	325	266	80	6.15	1.4	7.3
180250 B08	PTS-92-4000	1 3/4"	800 - 4000	590 - 2950	347	70	92	175	377	272	92	8.95	2.5	5.3
180250 B12	PTS-92-4000	1 3/4"	800 - 4000	590 - 2950	347	70	92	175	387	272	92	8.95	2.5	5.3
180249 B12	PTS-119-7000	2 1/2"	1400 - 7000	1080 - 5300	569	90	119	210	407	285	119	12.52	3.8	2.6

Dimensions in mm