

TWMP503, Torque Wrench Moly Paste

- Enerpac 503 Moly Paste reduces friction on threaded fasteners – bolts, nuts and studs
- The low and uniform friction coefficient of 0.06 (torque coefficient, K, of 0.10) creates reliable assembly conditions
- This lubricant stays in place through heat, load and vibration to insure trouble-free disassembly from -29 °C to 400 °C (-20 °F to 750 °F)
- Can of 1,8 kg (4 lb).


▼ TWMP503



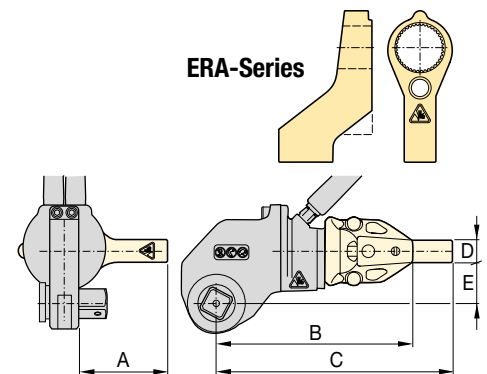
for
RSL
Series



ERA-Series, Extended Reaction Arms


For Torque Wrench Model Nr.	Model Number	Dimensions (mm)					 (kg)
		A	B	C	D	E	
RSL1500	ERA15114	87	145	195	29	36	0,9
	ERA15228	113	181	230	29	36	1,8
	ERA15342	139	226	276	29	36	2,7
	ERA15456	164	236	286	29	36	3,6
	ERA15570	189	287	337	29	36	4,5
RSL3000	ERA30114	105	195	257	34	41	2,7
	ERA30228	131	231	293	34	41	3,6
	ERA30342	156	266	328	34	41	4,5
	ERA30456	181	302	364	34	41	5,4
RSL5000	ERA50114	131	208	284	44	48	4,1
	ERA50228	156	243	320	44	48	5,0
	ERA50342	181	279	355	44	48	5,9
	ERA50456	207	314	391	44	48	6,8
RSL11000	ERA110114	125	219	296	51	59	6,3
	ERA110228	150	255	331	51	59	7,3
	ERA110342	176	291	367	51	59	8,2
	ERA110456	201	326	402	51	59	9,1
RSL28000	ERA280228	171	335	411	57	85	11,3
	ERA280342	197	370	447	57	85	13,6

- Only to be used on RSL-drive units with RSQ-square drive wrenches
- Used in place of standard reaction arm
- Lightweight interchangeable design
- Full torque rated.

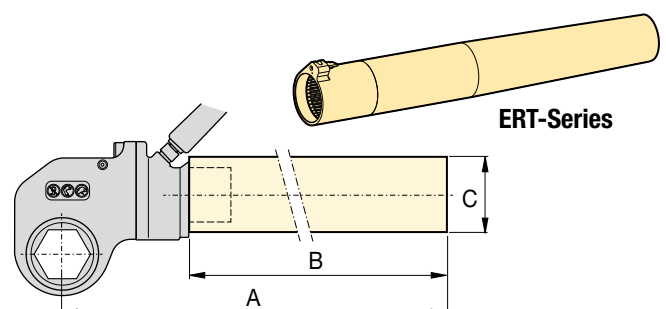


NOTE: Extended Reaction Arms for RSL8000 and RSL19000 are available on request.

ERT-Series, Extended Reaction Tubes

For Torque Wrench Model Nr.	Model Number	Dimensions (mm)			 (kg)
		A	B	Ø C	
RSL1500	ERT152	157	51	57	0,9
	ERT156	259	152	57	1,6
	ERT159	335	229	57	2,5
	ERT1512	411	305	57	3,4
	ERT1524	716	610	57	6,7
RSL3000	ERT3012	429	305	70	3,0
	ERT3024	734	610	70	5,9
RSL5000	ERT5012	451	305	89	5,6
	ERT5024	756	610	89	11,3
RSL11000	ERT1106	330	152	95	2,1
	ERT11012	483	305	95	4,1
	ERT11018	635	457	95	6,1
	ERT11024	787	610	95	8,4
RSL19000	ERT19024	800	610	127	16,7
RSL28000	ERT2806	351	152	127	3,6
	ERT28012	503	305	127	7,3
	ERT28018	655	457	127	10,9
	ERT28024	808	610	127	16,6

- Only to be used on RSL-drive units with RLP-hexagon cassettes
- Used in place of standard reaction arm
- One piece steel design, durable and simple
- Increases tool fit in restricted access areas
- Full torque rated.



NOTE: Extended Reaction Tubes for RSL8000 are available on request.