



TXU LOW PROFILE TORQUE WRENCH



torquip

THE ALL AROUND SOLUTION

TXU

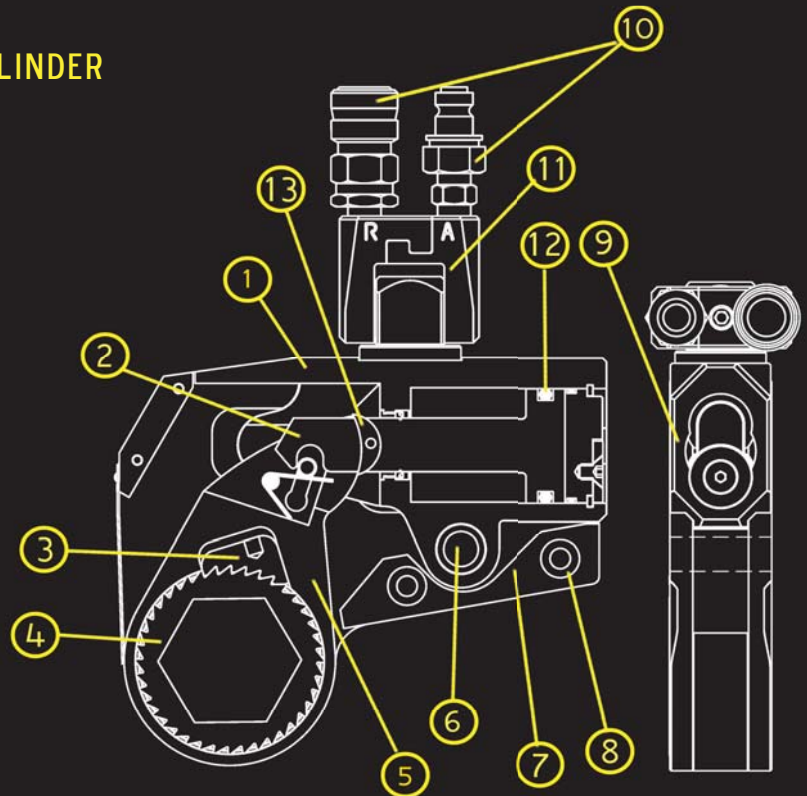
UNI-SWIVEL LOW PROFILE HYDRAULIC TORQUE WRENCH THE WRENCH WITH A TWIST

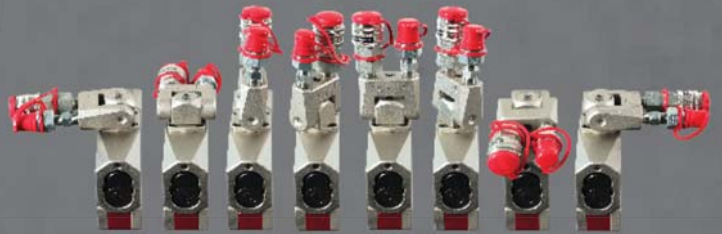
NOT ONLY IS THE WRENCH ITSELF ROTATABLE AROUND EVERY APPLICATION ... SO IS THE UNI-SWIVEL. WE RE-WROTE THE BOOK WITH THE TXU WHEN IT COMES TO BEING THE MOST VERSATILE LIMITED CLEARANCE HYDRAULIC WRENCH. EVERY COMPONENT IS ENGINEERED FOR HIGH-TORQUE PERFORMANCE AND DURABILITY TO DELIVER JOB-SITE RESULTS ACCURATELY AND ON SCHEDULE. THE TXU IS THE ONLY TOOL IN THE JOB BOX THAT WILL GIVE YOU FREEDOM WHEN FACED WITH LIMITATIONS.



THE POWER INSIDE

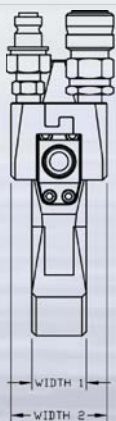
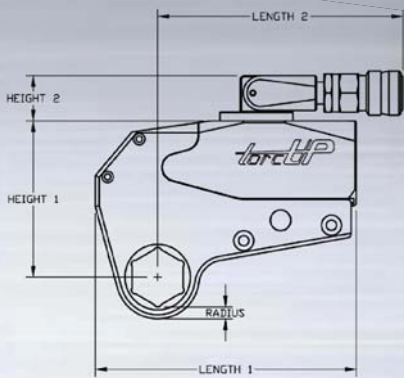
1. PATENTED "PEANUT-SHAPED" CYLINDER
2. ENGAGEMENT ROD
3. NEVER-LOCK DRIVE PAWL
4. MULTI-TOOTH RATCHET
5. ONE PIECE DRIVE PLATE
6. LINK PIN
7. IN-LINE REACTION PAD
8. STEEL ALIGNMENT PIN
9. COMPLETELY FLAT DESIGN
10. QUICK CONNECT COUPLERS
11. 180° X 360° UNI-SWIVEL
12. PROPRIETARY PISTON SEAL
13. SLIDER PREVENTS WEAR OF PISTON



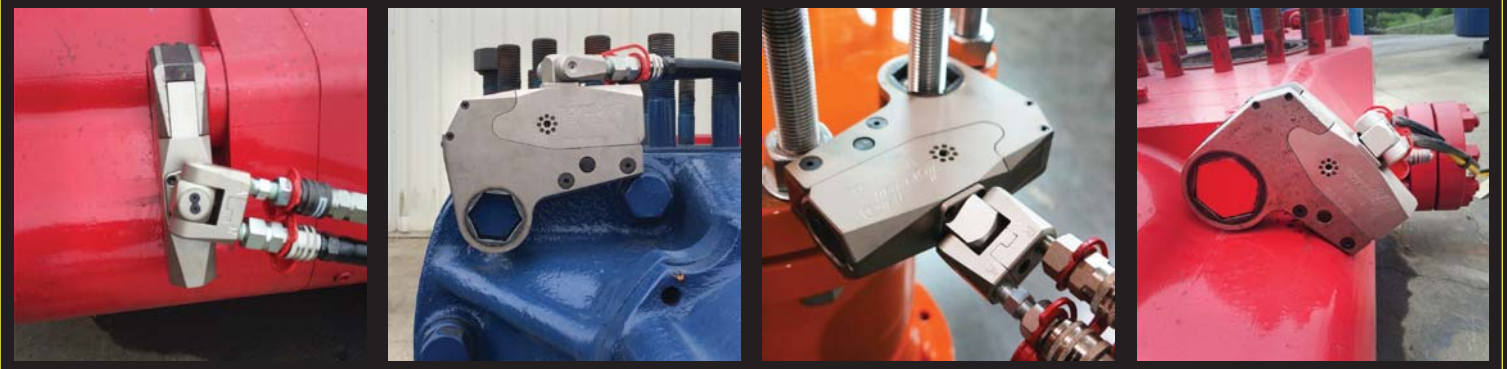


WWW.TORCUP.COM

POWER ENGINEERED



MODEL NUMBER	TXU-2	TXU-4	TXU-8	TXU-16
MIN. TORQUE (ft/lbs)	192	395	830	1560
MAX. TORQUE (ft/lbs)	1928	3950	8630	16600
MIN. TORQUE (nm)	260	535	1125	2115
MAX. TORQUE (nm)	2614	5355	11699	22503
CYLINDER WEIGHT (lbs)	4.0	6.9	12.5	16
CYLINDER WEIGHT (kg)	1.8	3.1	5.7	7.3
LINK WEIGHT FROM (lbs)	2.4	5.4	11.9	21.0
LINK WEIGHT TO (lbs)	3.5	7.6	14.5	28.0
LINK WEIGHT FROM (kgs)	1.0	2.4	5.5	9.5
LINK WEIGHT TO (kgs)	1.5	3.4	6.5	13.0
LENGTH 1 (in)	6.45	7.87	10.18	12.93
LENGTH 1 (mm)	163.8	199.9	258.6	328.4
LENGTH 2 (in)	5.99	6.58	7.34	8.2
LENGTH 2 (mm)	152.4	167.1	186.4	208.2
WIDTH 1 (in)	1.25	1.63	2.05	2.5
WIDTH 1 (mm)	31.8	41.4	52.1	63.5
WIDTH 2 (in)	2.19	2.26	2.26	2.26
WIDTH 2 (mm)	55.6	57.4	57.4	57.4
RADIUS RANGE FROM (in)	0.37	0.41	0.56	0.68
RADIUS RANGE TO (in)	0.59	0.77	0.93	1.68
RADIUS RANGE FROM (mm)	9.6	10.5	14.2	17.1
RADIUS RANGE TO (mm)	15.0	18.7	21.0	25.9
HEIGHT 1 (in)	3.39	4.93	6.18	7.58
HEIGHT 1 (mm)	86.3	125.2	157	192.5
HEIGHT 2 (in)	1.11	1.30	1.30	1.30
HEIGHT 2 (mm)	28.2	33.0	33.0	33.0
HEX RANGE FROM	3/4"/19mm	1"/27mm	1 7/8"/49mm	2 3/16"/55mm
HEX RANGE TO	2 9/16"/65mm	3 1/8"/80mm	4 5/8"/120mm	5 5/16"/135mm



TXU SERIES UNI-SWIVEL
LOW PROFILE
HYDRAULIC TORQUE WRENCH

ADAPT - IN CONFINED AREAS
ADJUST - AROUND 360 DEGREES
ANTICIPATE - ALL POSITIONAL OBSTRUCTIONS

LOW POINT
REACTION PADDLE



BOX END
SPANNER WRENCH



INLINE REACTION
ARM



HEX TO SQUARE
DRIVE ADAPTER



TOOL HANDLE



HEX REDUCER



Contact:
sales@appliedtorque.co.uk
Wales Office Tel:
02920 888883
Scotland Office Tel:
0141 8101440

TXU SERIES

Made In USA

Four Models From 192 ft/lbs to
16,000 ft/lbs

Every Unit Calibrated In
ISO17025 Laboratory

Manufactured With AQ
Certified Alloys

Genuine TorcUP Design

CARRYING
CASE



Catalog 2017

TorcUP products are subject to continual development and TorcUP reserves the right to make changes to the specifications and design of their products without prior notice. All rights are reserved. Reproduction in whole or in part without permission of TorcUP Inc. is prohibited.